

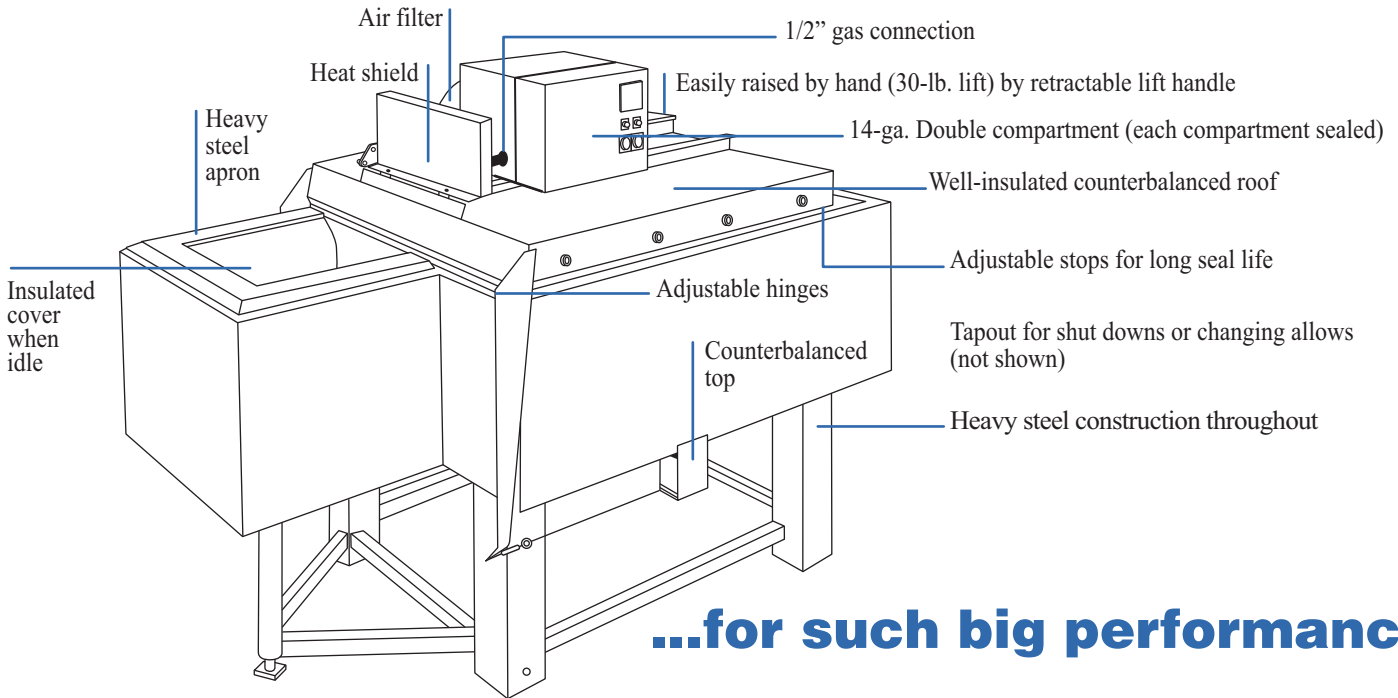
CAL-MISER Series S Standard sizes available

Model	Bath	Dipout Well			Useable Metal	FOOTPRINT				
		Depth	Width	Length		A	B	H-1	H-2	
SO1600	1620 lbs.	12	x 16	x 16	750	83	42	43	70	<p>Operator Side</p> <p>Model SO</p>
SH1600	1620 lbs.				750	83	42	43	70	
SO2700	2850 lbs.	15	x 19	x 19	1100	90	46	46	73	<p>Helper Side</p> <p>Model SH</p>
SH2700	2850 lbs.				1100	90	46	46	73	
SO3800	3910 lbs.	18	x 22	x 22	1400	97	50	49	76	
SH3800	3910 lbs.				1400	97	50	49	76	

Such a small footprint...

- Takes up less than 30 sq. ft. floor space
- Under 1/4 kW 120 V. electrical requirement
- Requires 8 oz. natural gas pressure –1/2” pipe
- 2” diameter filtered or outside air
- 8 x 8 charging wells
- 24” legs with extensions available

COVERED UNDER U.S. PATENT NO. 4358095 — OTHER PATENTS PENDING.



...for such big performance!